

IGNITE

Automation Production Control (APC)



The Ignite automation platform continues to provide industry standard production quality with unmatched levels of control and flexibility.

The revolutionary and Emmy® Award-winning APC platform from Grass Valley® is a powerful and agile software solution that enables single operators to create tighter, cleaner, more compelling live content while lowering OPEX costs associated and providing a strong ROI.

Powerful Production Flexibility with AMPP

Ignite's diverse range of API control gets a boost with an ever-growing list of AMPP® applications. These software-based devices can be controlled in the cloud, on-prem, or a mixture of both – all while automating the traditional production devices your facility still counts on.

Boost your production flexibility by spinning up any number of Densité® X Clip Player HD channels as your production needs dictate, or switch the entire production with our cloud-based video production engine – K-Frame™ CS X. As always with Ignite, control what you want, when you want.

As the AMPP universe grows, so too will Ignite's device control matrix with associated app control, creating a natural pathway to the next generation of production automation.

The Unscripted Live Production Leader

Ignite® excels in live production environments where unexpected changes are a common occurrence. Not all live productions can be scripted. Why settle for an APC solution that doesn't excel at delivering compelling unscripted live content? Ignite has the ability to run in a standard playlist format and instantly transition to independent, manual control of all devices in a production control room – switching seamlessly between live productions without any additional preparation.

Ignite has produced millions of hours of live production, covering news, variety talk shows, sporting events, concerts and various other production formats. When breaking news comes in, Ignite is there helping you produce extended coverage in

rapidly developing environments, which can take unexpected turns at any moment. These productions can last days and weeks, not just hours and minutes – all unscripted and unplanned.

Ignite Event Builder (EB) – Simplified Event Management

The perception is that *all APC solutions* available in the industry today are complicated to set up and maintain, which directly impacts your OPEX budget, and limits productions. APC operators are encumbered by "how do I do this?" as opposed to simply focusing on making the most creative live productions. Facilities using an APC often look for special operators called "super users" who are responsible for maintaining the creativity of the event library. What happens when these super users aren't working, are sick or leave your organization? To ensure smooth, efficient and consistent productions, Ignite EB is the solution.

Key Features

- New AMPP Device Control with Ignite X
 - Densité X Clip Player HD
 - K-Frame CS X
- Kaleido IP integration with server countdown and event driven UI timers
- Ignite Persistent Templates: New Ignite vertical playlist supports dynamic change in the rundown directly from Ignite – there's no need to go to the NRCS to make changes
- Event Builder:
 - Quick & easy creation of event library – reducing training & commissioning by up to 50%
 - Enables Ignite to be deployed as an easy to set up and use plug-and-play device suitable for any production environment, small or large
 - Event options are accessible in a single interface – building takes a few clicks, no wading through dozens of menus
- MOP (Media Object Portal) processes and filters changes that occur during live productions, giving visibility to what and where a change has occurred
- Full and partial redundancy options available
- Templated Events: Reduces the size and complexity of your event library
- Third-party device control is direct and native, no other applications required
- Audio control mimics the way an audio operator would control an audio console
- Ignite companion application enables simultaneous Ignite control by up to three operators
- Make last-minute adjustments to audio levels on Katalyst or directly in the Ignite UI – there's no need to go to the NRCS to make changes
- Flexible architecture support allows for hybrid modes of operation
 - Switch between traditional production panels and full automation
 - Combine semi-automation with manual control of specific devices
- Supports MOS and has an Active X plugin
- NRCS support: AP (ENPS), iNews, Octopus and Dalet, while also supporting no NRCS if desired
- Comprehensive switcher support:
 - K-Frame CS X, K-Frame XP, K-Frame X-Series, S-Series and V-Series
 - Kahuna®
 - Kula®
 - Sony

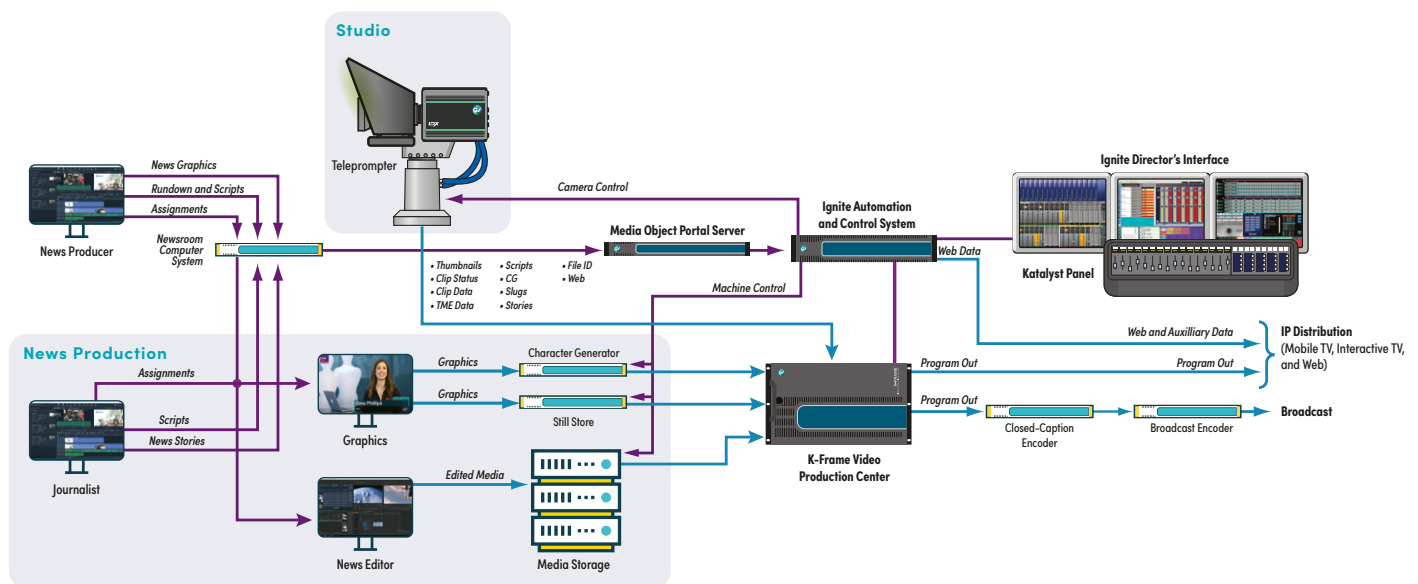
Ignite EB is the next generation platform that levels the playing field for all operators, making every user a super user. Ignite EB was designed from the ground up for a non-technical person to create or modify live production events with little or no formal training. Other APC solutions take weeks or even months to build out a show library of live events. Ignite EB makes this possible

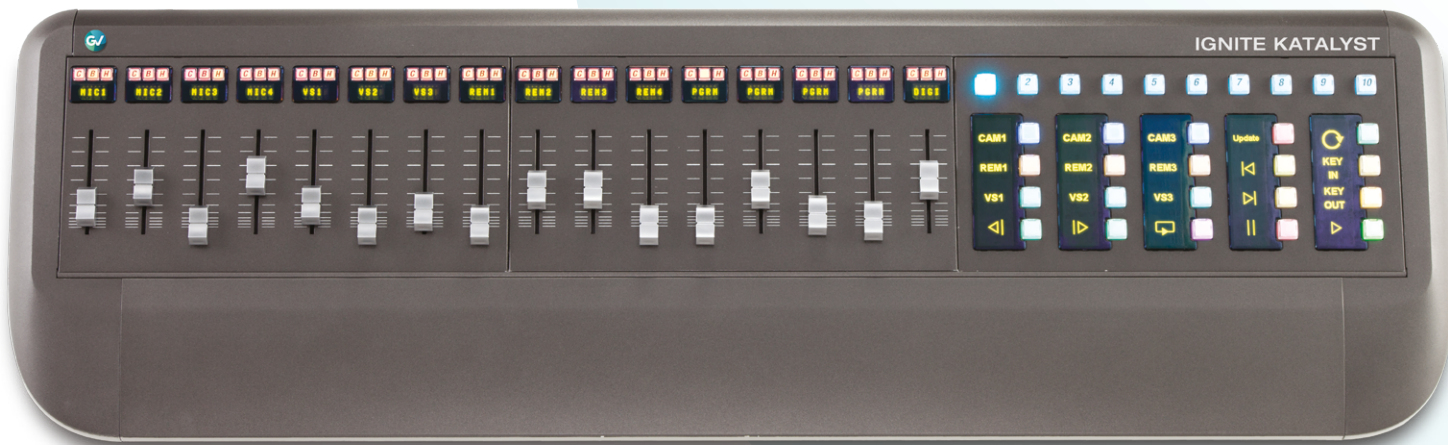
in days with unprecedented savings. Ignite deployment training can now immediately focus your team on creativity of live productions, instead of wasting time building out event libraries.

Ignite EB also enables operators to embrace change. Minutes before a live production, a Producer can request a new event, which can

be quickly, easily and confidently created in Ignite EB. This scenario would have previously been seen as impossible and fraught with risk. With Ignite, it's no problem. Ignite EB works to break down the walls that exist between Producers and Directors, giving you a real game changer in live production!

Broadcast Video Workflow

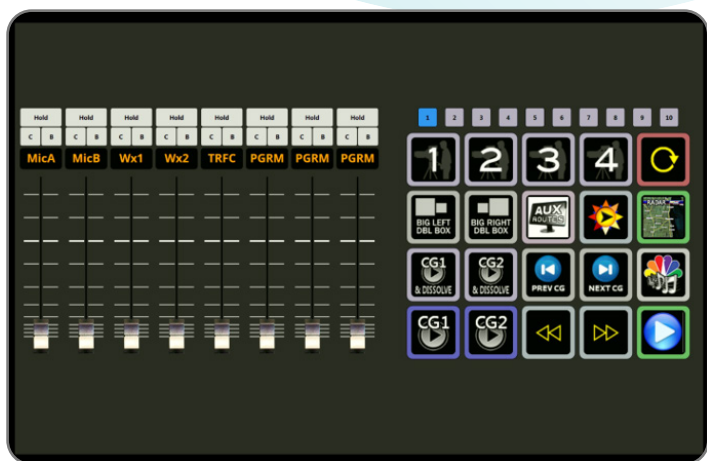




The Ignite Katalyst solution for the Ignite platform provides the feel of a tactile interface without the bulk of large control panels. Whether producing an entire show live, it can trigger simple or complex functions for instant recall. And the touch-capacitive motorized audio faders provide for dynamic audio control and instantaneous automation override.

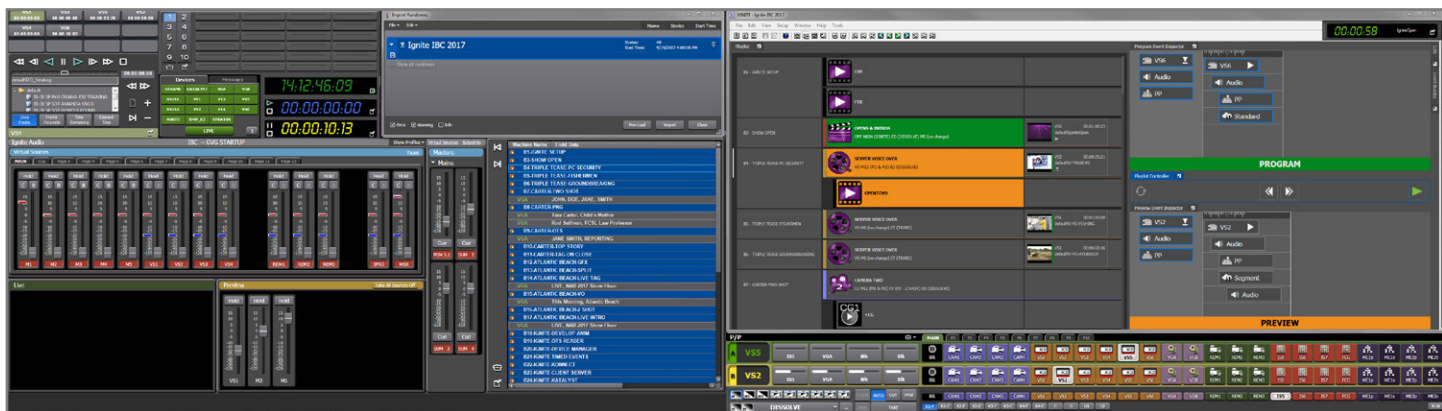
Automation Soft Panel (ASP)

The ASP offers all the functionality of the Katalyst without the cost of additional hardware. It provides the user with effectively unlimited hotkeys, which enables instant access to a multitude of events designed specifically for any production scenario. No need to wait for rundown updates, simply recall any source in any way at any time. The software-based control surface can run within Ignite and on customer-furnished PCs or tablets.



Ordering

Please contact your authorized Grass Valley representative.



This product may be protected by one or more patents. For further information, please visit: www.grassvalley.com/patents

DS-PUB-3-0068A-EN

Grass Valley®, GV® and the Grass Valley logo are trademarks or registered trademarks of Grass Valley USA, LLC, or its affiliated companies in the United States and other jurisdictions. Grass Valley products listed above are trademarks or registered trademarks of Grass Valley USA, LLC or its affiliated companies, and other parties may also have trademark rights in other terms used herein. Copyright © 2015-2023 Grass Valley Canada. All rights reserved. Specifications subject to change without notice.

www.grassvalley.com Join the Conversation at GrassValleyLive on [Facebook](#), [Twitter](#), [YouTube](#) and Grass Valley on [LinkedIn](#)